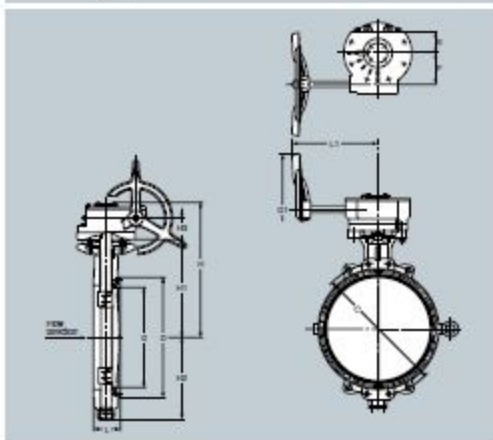
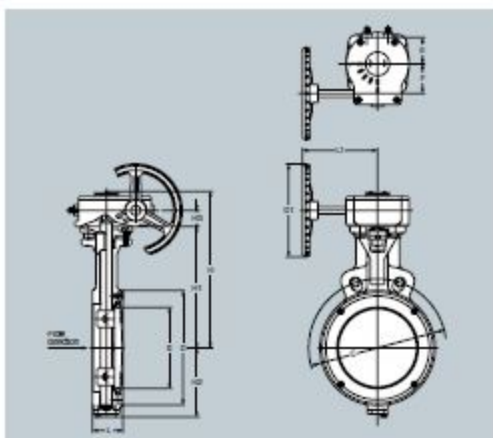


LONG SPINDLE GEAR OPERATED

GL-10UB: Class 10K / GL-16UB: Class 16K / GL-150UB: Class 150

*KITZ valve codes shall be suffixed with M in case of SCS14A stainless steel body and trim.



Dimensions

unit:mm

Size		d	H	H1	H2	H3	L	L1	D	D1	E	F	C			Gear type
mm	inch												10K	16K	150	
50	2	50	191	138	64	25	43	150	90	140	35	42	120	120	120.5	No.1
65	2 1/2	65	201	148	74		46		115				140	130.5		
80	3	78	225	167	82	28	52	106	126	170	42	60	150	160	152.5	No.2
100	4	98	239	181	92				146				175	185	190.5	
125	5	123	260	202	115	56	204	211	181	200	54	66	210	225	216.0	No.3
150	6	148	283	225	126				211				240	260	241.5	
200	8	197	350	263	164	47	71	280	257	310	60	80	290	305	298.5	No.4
250	10	243	417	315	236	76	310	322	360	60			80	355	380	
300	12	295	444	342	258	60	83	363	367	410	70	93.5	400	430	-	No.5
350	14	325	476	374	294		92		445				480	-		
400	16	371	572	408	315	95	102	377	470	500	90	134	510	540	-	No.6
450	18	421	606	442	370		114		530				605	-		
500	20	470	622	458	398	170	127	154	580	213	105	213	620	660	-	No.7
600	24	569	758	558	475		154		688				770	-		