

120°C Non-shock water 1.37MPa, 120°C Water, oil, air 0.98MPa
Saturated steam 0.69MPa, 120°C Gas 0.69MPa

Designed to JIS B2031

Fig. 10FCO

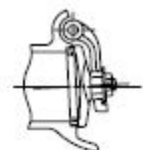
- Bronze trim

Fig. 10FCOS

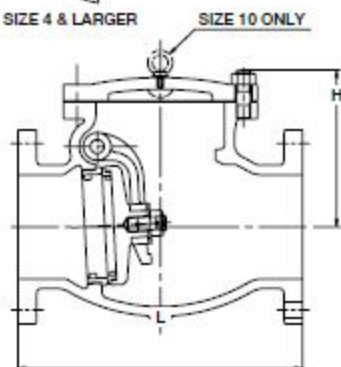
- Stainless steel trim (13 Cr.)

Fig. 10FCOU

- Stainless steel trim (18-8)



SIZE 4 & LARGER



SIZE 10 ONLY

Materials

Parts	Material	JIS Spec.		
		10FCO	10FCOS	10FCOU
Body	Cast Iron	FC200		
Cover	Cast Iron	FC200		
Hinge pin	Brass/Stainless Steel	C3771BD	SUS403	SUS304
Disc	1 1/4 & 4	Brass/Stainless Steel	CAC406	SUS403
	5 & larger	Cast Iron	FC200	
Disc seat ring	Brass/Stainless Steel	CAC406	SUS403	SUS304
Body seat ring	Bronze	CAC406	SUS403	SUS304
Arm	Stainless Steel	SCS13A		
Gasket	Asbestos-free			
Cover bolt/nut	Carbon Steel	SS400		

Design Specifications

Items	
Shell wall thickness and general valve design*	JIS B2031
Face-to-face dimensions End-to-end dimensions	JIS B2031
End flange dimensions Gasket contact facing	JIS B2239 10K

* Nominal size 1 1/4, 10 and larger shall not be in accordance with JIS B2031

Dimensions

Valve Size	inch	1 1/2*	2	2 1/2	3	4	5	6	8	10*	12*	14*	mm
	mm	40	50	65	80	100	125	150	200	250	300	350	
L Face-to-face		190	200	220	240	290	360	410	500	620	700	787	
H Height		106	111	121	145	165	207	225	268	315	356	381	

Only 12" & 14" for 10FCOS & 10FCOU. *No JIS Mark