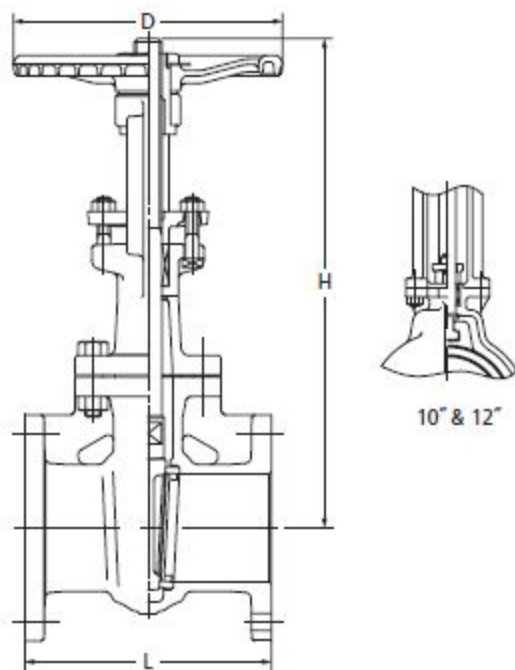


# 10K Gate Valve

## 10SMBOF

B.B.O.S.Y.  
FF-flanged



F-F dimension : JIS B 2002  
End flanges : JIS B 2239 10K

120°C Static water..... 1.37MPa  
220°C Steam, air, gas, oil..... 1.18MPa  
300°C Steam, air, gas, oil..... 0.98MPa

- Use for lubricating or hydraulic oil is acceptable. Contact KITZ Corporation for technical advice, if valves are used as heat transfer media.
- Bolting materials will be changed for servicing high temperature exceeding 225°C. Contact KITZ Corporation for detailed information.

### Materials

Parts	JIS material
Body	FCD-S
Bonnet	FCD-S
Stem	SUS 403
Disc	SUS 403 (1½"~8") SFVC2A+13Cr (10") SCPH2+13Cr (12")
Body seat ring	SUS 403 (1½"~3": SCS 1)
Gland	FCD-S
Gland packing	Asbestos-free
Handwheel	FCD 400
Wheel nut	SS 400
Bonnet bolt /nut	S 45C
Gland bolt /nut	SS 400
Yoke sleeve	C6782BE (8"~12": CAC302)
Yoke	FCD-S
Gasket	Asbestos-free
Name plate	A1050P

### Dimensions

Size	mm										
	mm inch	40	50	65	80	100	125	150	200	250	300
L		165	178	190	203	229	254	267	292	330	356
H (open)		300	352	410	479	566	667	779	993	1181	1404
D		160	200	200	250	250	300	300	350	400	450

NOTE : For flange dimensions refer to Page 40. \*RF-flanged ends shall be optionally available.