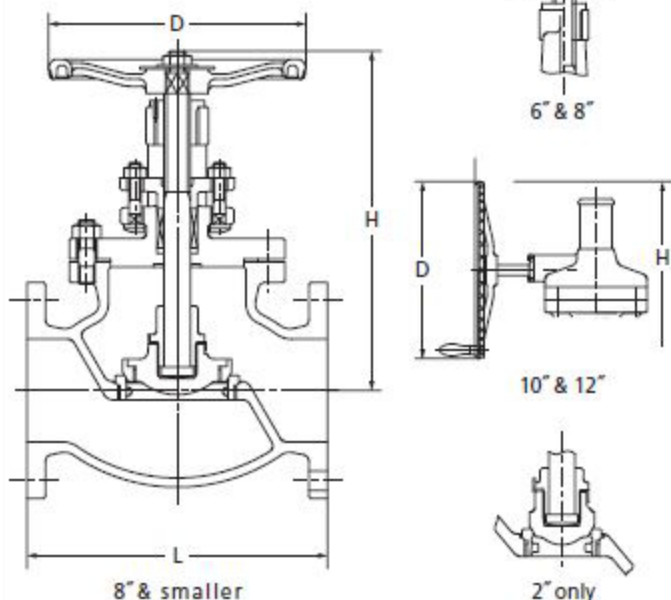


10K Globe Valve

10SPBOF

B.B.O.S.Y.
FF-flanged



F-F dimension : JIS B 2002
End flanges : JIS B 2239 10K

120°C Static water.....1.37MPa
220°C Steam, air, gas, oil.....1.18MPa
300°C Steam, air, gas, oil.....0.98MPa

- Use for lubricating or hydraulic oil is acceptable. Contact KITZ Corporation for technical advice, if valves are used as heat transfer media.
- Bolting materials will be changed for servicing high temperature exceeding 225°C. Contact KITZ Corporation for detailed information.

Materials

Parts	JIS material
Body	FCD-S
Bonnet	FCD-S
Stem	SUS 403
Disc	FCD-S (2" : SUS 403)
Disc seat ring	SUS 403 (2" ~ 4" : SCS 1)
Body seat ring	SUS 403 (2" ~ 4" : SCS 1)
Lock nut	FCD-S
Gland	FCD-S
Gland packing	Asbestos-free
Handwheel	FCD 400
Wheel nut	SS 400
Packing washer	SUS 403
Bonnet bolt /nut	SS 400
Gland bolt /nut	SS 400
Gasket	Asbestos-free
Name plate	A1050P
Yoke bush	C6782BE

Dimensions

Size	mm inch	50	65	80	100	125	150	200	250	300
L		203	216	241	292	356	406	495	622	698
H (open)		302	317	356	377	460	524	585	880	943
D		200	225	250	250	300	350	400	360	360

NOTE : For flange dimensions refer to Page 40. ※RF-flanged ends shall be optionally available.