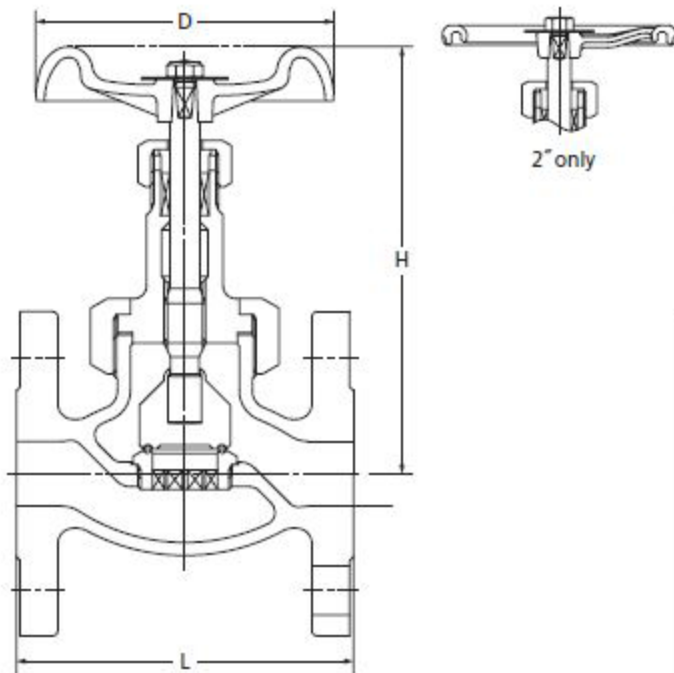


20K Globe Valve

20SYB

U.B.I.S.

RF-flanged



F-F dimension : JIS B 2002 JV 4-4*

End flanges : JIS B 2239 20K

*KITZ Std. for C_v

120°C Static water.....	2.75MPa
220°C Steam, air, gas, oil.....	2.45MPa
300°C Steam, air, gas, oil.....	2.26MPa
350°C Steam, air, gas, oil.....	1.96MPa

- Use for lubricating or hydraulic oil is acceptable. Contact KITZ Corporation for technical advice, if valves are used as heat transfer media.
- Employment of copper gasket prohibits use of this valve for ammonia or amine chemicals.

Materials

Parts	JIS material
Body	FCD-S
Bonnet	FCD-S
Stem	SUS 420J2
Disc	SUS 403 + HF*
Body seat ring	SCS13A + HF*
Gland	SUS 403 (3/8" & 1/2": SUS 420J2)
Gland packing	Asbestos-free
Packing nut	FCD-S
Handwheel	FCD 450 (2": FCD 400-15)
Wheel nut	SS 400
Gasket	C1100P-0
Name plate	A1050P

* Hard-faced with Co-Cr-W alloy

Dimensions

Size	mm							
	mm inch	10 3/8	15 1/2	20 3/4	25 1	32 1 1/4	40 1 1/2	50 2
L		110	110	120	130	160	180	230
H (open)		136	138	157	178	202	210	239
D		70	80	100	115	135	135	180

NOTE : For flange dimensions refer to Page 40.