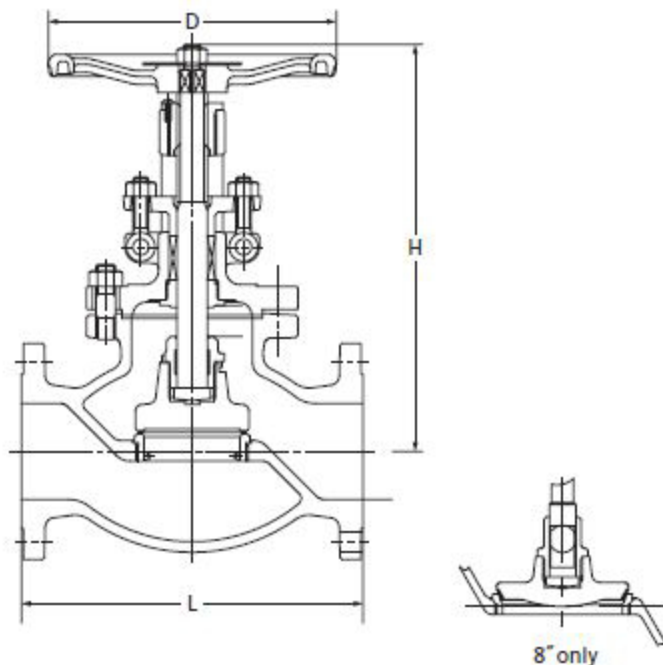


20K Globe Valve

20SYBO

B.B.O.S.Y.

RF-flanged



F-F dimension : JIS B 2002
End flanges : JIS B 2239 20K

120°C Static water..... 2.75MPa
220°C Steam, air, gas, oil..... 2.45MPa
300°C Steam, air, gas, oil..... 2.26MPa
350°C Steam, air, gas, oil..... 1.96MPa

● Use for lubricating or hydraulic oil is acceptable. Contact KITZ Corporation for technical advice, if valves are used as heat transfer media.

Materials

Parts	JIS material
Body	FCD-S
Bonnet	FCD-S
Stem	SUS 403
Disc	SFVC2A+HF*
Lock nut	FCD-S (8": SUS 403)
Body seat ring	SFVC2A+HF* (8": SUS 403+HF*)
Gland	FCD-S
Gland packing	Asbestos-free
Handwheel	FCD 400
Wheel nut	SS 400
Bonnet bolt /nut	S45C
Gland bolt /nut	SS 400
Yoke bush	C6782BE
Gasket	Asbestos-free
Name plate	A1050P

* Hard-faced with Co-Cr-W alloy

Dimensions

Size	mm							
	mm inch	50	65	80	100	125	150	200
L		267	292	318	356	400	444	559
H (open)		243	347	382	457	534	593	697
D		225	250	250	300	350	400	560

NOTE : For flange dimensions refer to Page 40.