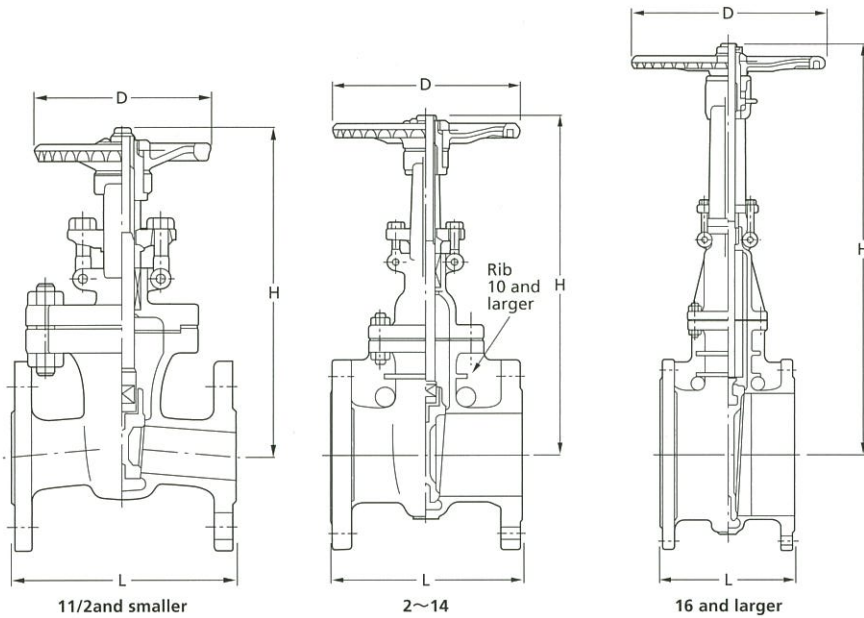


10UMA(T)

10UMAM(T)



Materials

| Parts | 10UMA(T) | 10UMAM(T) |
|------------------|-------------------|-----------|
| Body | SCS13A | SCS14A |
| Bonnet | SCS13A | SCS14A |
| Stem | SUS304 | SUS316 |
| Disc | SCS13A | SCS14A |
| Gland | SUS304 | SUS316 |
| Gland flange | SCS13A | |
| Gland packing | Refer to Page 10 | |
| Gasket | Refer to Page 10 | |
| Yoke sleeve | Ductile Ni-resist | |
| Yoke** | FCD-5 | |
| Handwheel | FCD400 | |
| Gland bolt/nut | SUS304/304 | |
| Bonnet bolt/nut | SUS304/304 | |
| Grease nipple*** | S20C | |
| Name plate | A1050P | |

*(T) Suffixing stands for the provision of ceramic filled PTFE gaskets.

**Yoke is separated from bonnet for 10 and larger.

***For size 10 and larger.

Note: • Body seats and/or disc seats can be optionally hard-faced.

• Size 1 1/4 is only for 10K.

• Flexible wedge for all sizes.

| Items | |
|-------------------------|-----------------------|
| Face-to-Face Dimensions | ASME B16.10 |
| End Flange Dimensions | JIS B2220 |
| Wall Thickness | ASME B16.34 Class 150 |

| Nominal Size | 1/2 | 3/4 | 1 | 1 1/4 | 1 1/2 | 2 | 2 1/2 | 3 | 4 | 5 | 6 | 8 | 10 | 12 | 14 | 16 | 18 | 20 | 24 | |
|--------------|-----|------|------|-------|-------|------|-------|------|------|------|-------|-------|-------|-------|-------|-------|-------|-------|-------|-------|
| | 15 | 20 | 25 | 32 | 40 | 50 | 65 | 80 | 100 | 125 | 150 | 200 | 250 | 300 | 350 | 400 | 450 | 500 | 600 | |
| L | in. | 4.25 | 4.26 | 5.00 | 5.50 | 6.50 | 7.00 | 7.50 | 8.00 | 9.00 | 10.00 | 10.50 | 11.50 | 13.00 | 14.00 | 15.00 | 16.00 | 17.00 | 18.00 | 20.00 |
| | mm | 108 | 117 | 127 | 140 | 165 | 178 | 190 | 203 | 229 | 254 | 267 | 292 | 330 | 356 | 381 | 406 | 432 | 457 | 508 |
| H (open) | in. | 7.8 | 8.2 | 8.8 | 9.4 | 11.1 | 13.2 | 14.8 | 17.5 | 20.6 | 23.9 | 28.0 | 36.2 | 44.0 | 52.1 | 58.5 | 66.5 | 74.4 | 82.7 | 96.9 |
| | mm | 198 | 208 | 224 | 238 | 282 | 336 | 375 | 445 | 523 | 606 | 710 | 920 | 1117 | 1324 | 1486 | 1690 | 1890 | 2100 | 2460 |
| D | in. | 3.5 | 3.5 | 3.9 | 3.9 | 5.5 | 6.3 | 7.1 | 7.9 | 8.9 | 9.8 | 9.8 | 11.8 | 13.8 | 15.8 | 17.7 | 23.6 | 23.6 | 26.8 | 29.9 |
| | mm | 90 | 90 | 100 | 100 | 140 | 160 | 180 | 200 | 225 | 250 | 250 | 300 | 350 | 400 | 450 | 600 | 600 | 680 | 760 |