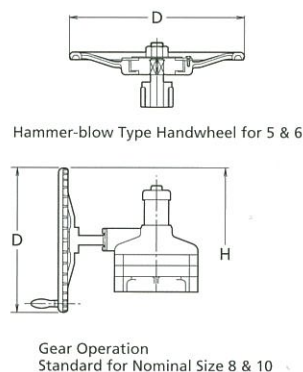
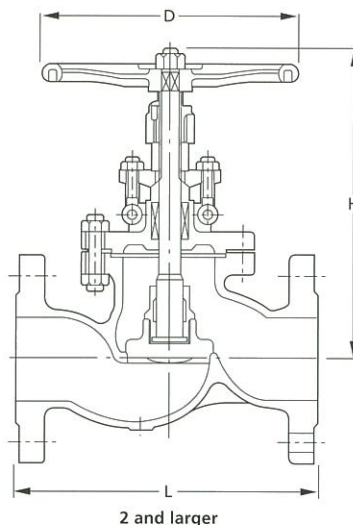
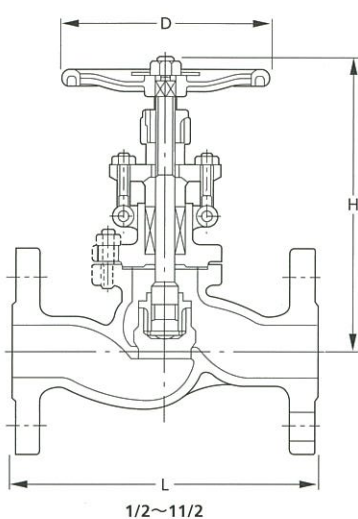


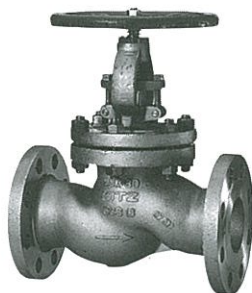
20UPA

20UPAM



Hammer-blow Type Handwheel for 5 & 6

Gear Operation Standard for Nominal Size 8 & 10



Materials

Parts	20UPA	20UPAM
Body	SCS13A	SCS14A
Bonnet	SCS13A	SCS14A
Stem	SUS304	SUS316
Disc	1/2 to 1 1/2 SUS304	SUS316
Lock nut	2 to 10 SCS13A	SCS14A
	1/2 to 1 1/2 SUS304	SUS316
	2 to 10 SCS13A	SCS14A
Gland	SUS304	SUS316
Gland flange	SCS13A	
Gland packing	Refer to Page 10	
Gasket	Refer to Page 10	
Yoke bush	Ductile Ni-resist	
Handwheel	FCD400	
Gland bolt/nut	SUS304/304	
Gland bolt pin	SUS403	
Bonnet bolt/nut	SUS304/304	
Name plate	A1050P	

Note: Body seats and/or disc seats can be optionally hard-faced.  
Hammer-blow type handwheel for size 5 and 6

Items	
Face-to-Face Dimensions	ASME B16.10
End Flange Dimensions	JIS B2220
Wall Thickness	ASME B16.34 Class 300

Nominal Size	1/2	3/4	1	1 1/2	2	2 1/2	3	4	5	6	8	10	
	15	20	25	40	50	65	80	100	125	150	200	250	
L	in.	6.00	7.00	8.00	9.00	10.50	11.50	12.50	14.00	15.75	17.50	22.00	24.50
	mm	152	178	203	229	267	292	318	356	400	444	559	622
H (open)	in.	9.3	7.3	7.4	9.3	11.4	11.7	13.5	15.7	19.4	22.2	34.8	41.5
	mm	186	186	187	236	289	297	343	398	493	564	883	1054
D	in.	3.9	3.9	3.9	6.3	7.1	7.9	9.8	11.8	13.8	15.8	19.7	23.6
	mm	100	100	100	160	180	200	250	300	350	400	500	600