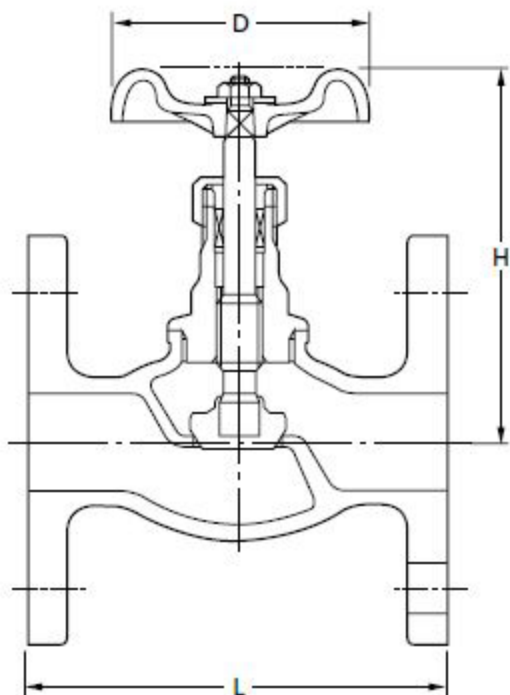


10K

GLOBE VALVE

Pressure-Temperature Rating: 1.0MPa: 180°C



UCB



Parts	UCB
Body	SCS13A
Bonnet	SCS13A
Stem	SUS304
Disc	SUS304
Gland	SUS304
Gland packing	Refer to Page 10
Packing nut	SCS13A/SUS304
Handwheel	ZDC (3/8~3/4) / ADC12 (1~2)
Name plate	A1050P

Face-to-Face Dimensions: KITZ Std. *Except flange thickness.
 End Flange Dimensions: JIS B2220*
 Wall Thickness: KITZ Std.

Nominal Size	Unit:mm						
	3/8	1/2	3/4	1	1 1/4	1 1/2	2
L	73	85	95	108	120	135	155
H	106	106	108	119	142	155	186
D	70	70	70	80	90	90	115