

# SY-5

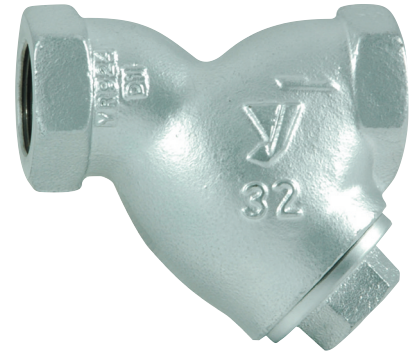
## Features

1. Versatile, compact, lightweight and economical.
2. High-flow-rate marine type with the largest possible filtration area in view of decrease in flow rate caused by clogging.

## Specifications

Application		Steam, Air, Cold and hot water, Other non-dangerous fluids
Maximum pressure		2.0 MPa
Maximum temperature		220°C
Material	Body	Ductile cast iron
	Screen	Stainless steel
Screen	Perforation	$\phi$ 2.5-7.21 holes/cm <sup>2</sup>
	Mesh	Standard 80 mesh
Connection		JIS Rc screwed

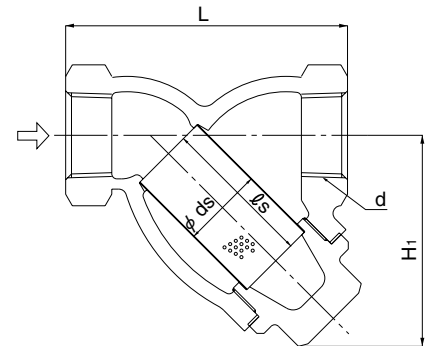
- Available with 20 to 100 mesh screen (perforation:  $\phi$  2.5-7.21 holes/cm<sup>2</sup>) or only with perforation ( $\phi$  1.2-23.8 holes/cm<sup>2</sup>) on request.
- Available with 10A to 32A attached with a plug (material: S15C).
- Available with a brass plug.



10A-32A

## Dimensions (mm) and Weights (kg)

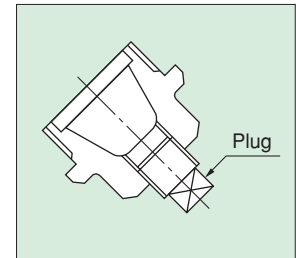
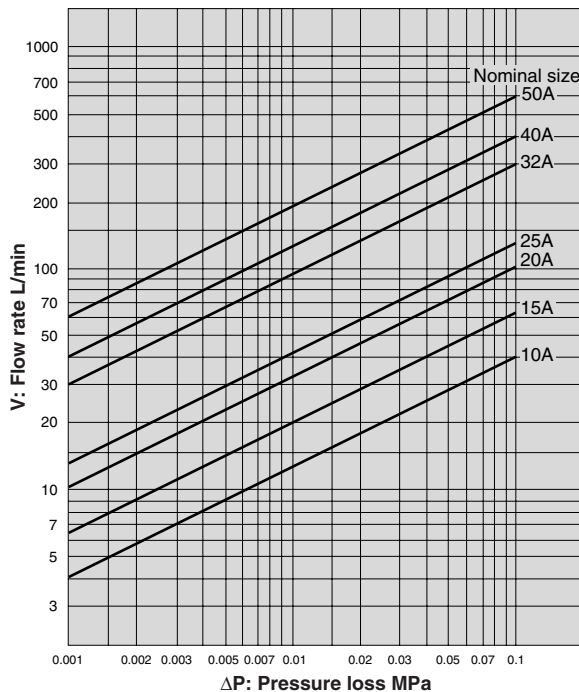
Nominal size	d	L	H <sub>1</sub>	ds	ℓs	Plug	Weight
10A	Rc 3/8	65	50	18	32	(R 1/4)	0.4
15A	Rc 1/2	75	55	20	35	(R 1/4)	0.6
20A	Rc 3/4	90	70	25	50	(R 3/8)	0.9
25A	Rc 1	110	85	32	60	(R 3/8)	1.4
32A	Rc 1-1/4	135	95	40	70	(R 3/8)	2.2
40A	Rc 1-1/2	145	105	45	75	R 3/8	3.4
50A	Rc 2	170	120	56	90	R 3/8	4.5



10A-32A

## Pressure Loss Chart (For Water)

- Screen: Perforation =  $\phi$  2.5-7.21 holes/cm<sup>2</sup>, Mesh = 80 mesh



40A-50A