

SY-17·37

Features

1. Stainless cast steel body is rustless, available for a wide variety of applications ranging from food, chemical industry to oil piping.
2. High-flow-rate marine type with the largest possible filtration area in view of decrease in flow rate caused by clogging.

Specifications

Model	SY-17	SY-37 (strainer with fine mesh)
Application	Steam, Air, Cold and hot water, Oil, Other non-dangerous fluids	
Maximum pressure	2.0 MPa	
Maximum temperature	150°C (250°C)	
Material	Body	Cast stainless steel
	Screen	Stainless steel
Screen	Perforation	ϕ 2.5-7.21 holes/cm ²
	Mesh	Standard 80 mesh 120 to 200 mesh
Gasket	PTFE *	
Connection	JIS Rc screwed	

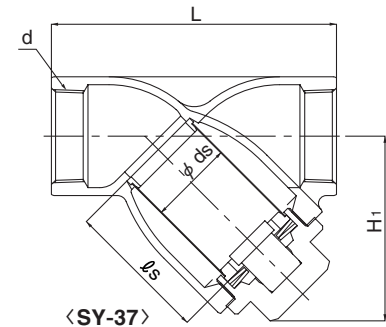
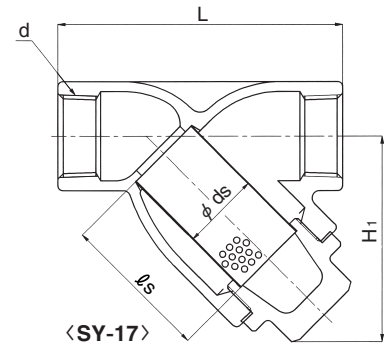
* If the temperature is more than 150°C, another material is used for the gasket. Please contact us.

• Available with 20 to 100 mesh screen (SY-17).

Dimensions (mm) and Weights (kg)

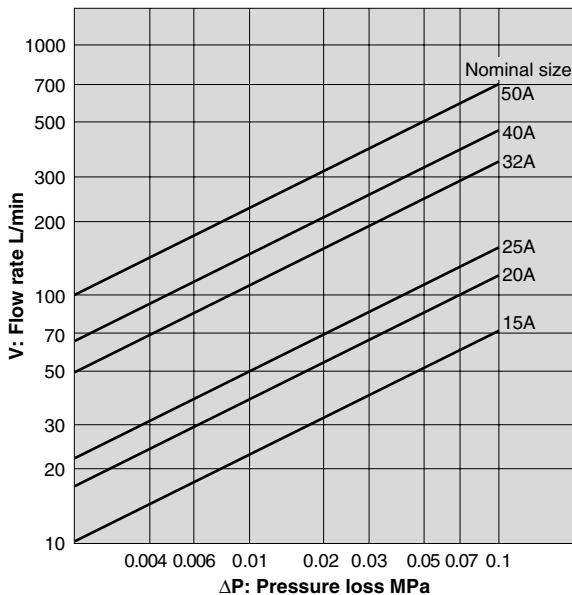
Nominal size	d	L	H ₁	ds	ℓs	Weight
15A	Rc 1/2	85	55	20 (18)	35	0.40 (0.4)
20A	Rc 3/4	100	69	25 (23)	50	0.68 (0.7)
25A	Rc 1	115	83	32 (30)	60	1.01 (1.1)
32A	Rc 1-1/4	135	92	40 (38)	70	1.48 (1.6)
40A	Rc 1-1/2	150	102	45 (43)	75	1.88 (2.0)
50A	Rc 2	180	117	56 (54)	90	3.34 (3.6)

• The above values in parentheses are the dimensions and weights of the SY-37.



SY-17 Strainer Pressure Loss Chart (For Water)

● Screen: Perforation = ϕ 2.5-7.21 holes/cm², Mesh = 80 mesh



SY-37 Strainer Pressure Loss Chart (For Water)

● Screen: Perforation = ϕ 2.5-7.21 holes/cm², Mesh = 120 mesh

