

TA-16·16L

Features

1. All parts, except for the valve disc, gasket, L-shaped hose joint (TA-16L), are made of stainless steel, offering high resistance to corrosion and durability.
2. Wide working pressure range (0.01 to 1.0 MPa) ensures stable exhaust capacity.
3. Can be installed in small space because of compact body.
4. Outstanding sealability offered by fluororubber valve disc.
5. The TA-16 can be connected to any exhaust piping easily by attaching optional piping connection parts.

Specification

Model		TA-16	TA-16L
Application		Cold and hot water	
Working pressure		0.01-1.0 MPa	
Maximum temperature		90°C	
Material	Body, cover	Stainless steel	
	Valve disc	FKM	
	Gasket	FKM	
	Float	Stainless steel	
Connection	Inlet	JIS R screwed	
	Outlet	JIS Rc screwed	Hose joint type



TA-16

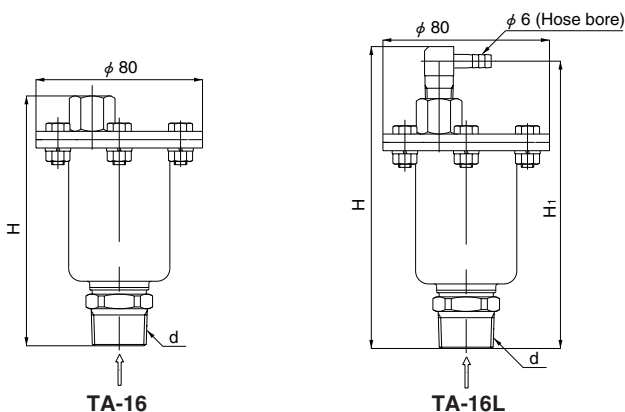
Dimensions (mm) and Weights (g)

●TA-16

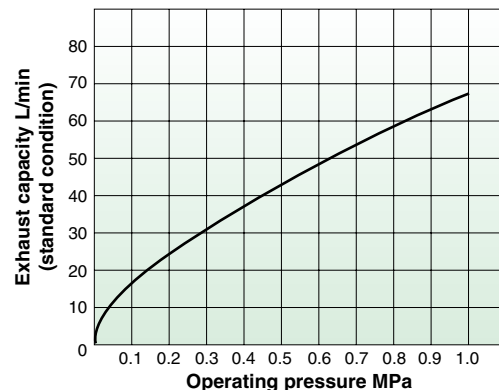
Nominal size	d	H	Weight
15A	R 1/2	118	660
20A	R 3/4	120	680
25A	R 1	124.5	740

●TA-16L

Nominal size	d	H ₁	H	Weight
15A	R 1/2	136	143	700
20A	R 3/4	138	145	720
25A	R 1	144	149.5	780



Exhaust Capacity Chart



Option

Available with manual valves, swivel joints (capable of turning 360 degrees), etc. (made of brass) as piping connection parts for the exhaust ports of air vent valves.



●L-shaped hose joint (R 1/4 x φ 6)



●Manual valve with copper joint (R 1/4 x φ 8)



●Manual valve with hose joint (R 1/4 x φ 6)



●Swivel joint (R 1/4 x Rc 1/4)



●Swivel copper pipe joint (R 1/4 x φ 8)



●Swivel hose joint (R 1/4 x φ 6)

· For other connection parts, please contact us.