

# AL-150TR

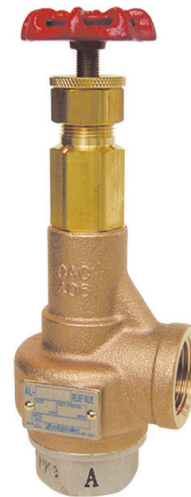
## Features

1. Handle type relief valve, pressure can be changed easily.
2. Excellent airtightness ensured by the valve seat incorporating soft seat. Most suitable for applications where valve seat leakage is not tolerated.
3. The trim parts (valve and valve seat) and adjusting spring are made of stainless steel. Used for the trim parts is SCS14A (equivalent to SUS316) with outstanding corrosion resistance.
4. Simple structure and easy to handle.
5. Closed structure prevents fluid leakage.

## Specifications

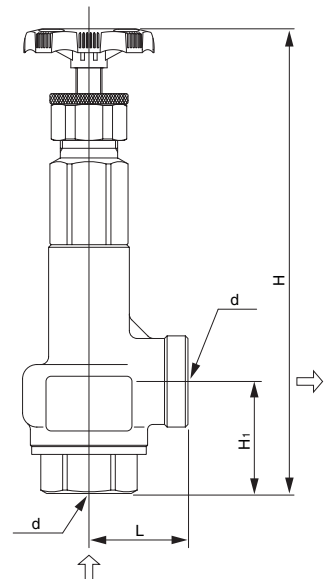
Structure	Closed type with a handle	
Application	Cold and hot water, Oil, Other non-dangerous fluids *	
Working pressure	0.05-1.0 MPa	
Maximum temperature	120°C	
Material	Spring case	Cast bronze
	Valve, valve seat	Stainless steel (SCS14A)
	Adjusting spring	Stainless steel
	O-ring	FKM
Connection	JIS Rc screwed	

\* Please contact us when using for oil.



## Dimensions and Weights

Nominal size	Dimension (mm)					Flow area $\pi D \ell$ (mm <sup>2</sup> )	Weight (kg)
	d	L	H <sub>1</sub>	H	Seat diameter		
15A	Rc 1/2	34	40	184	16	20.1	1.0
20A	Rc 3/4	38	43	186	21	34.6	1.1
25A	Rc 1	43	51.5	203	26	53.0	1.4
32A	Rc 1-1/4	50	61.5	239	33	93.3	2.1
40A	Rc 1-1/2	60	60	276	41	135.2	3.2
50A	Rc 2	75	76	314	51	208.2	5.1



### Soft seat is used for the trim parts!

Soft seat (O-ring) is used for the trim parts, ensuring the reliable airtightness of the valve seat.



Soft seat (O-ring)